



In Complete Stitches

- TrapINI Hack No.3 -

BIKE BAG



#TrapINI #incompletestitches #hackaTRAP
www.incompletestitches.com



- TrapINI Hack No.3 -

Follow these simple steps to make your TrapINI into a cool little bicycle (or belt) bag. Simply add a pair of tabs sewn into the top seam and secure with snap fixings.

Find the Bike Hack Tab pattern piece at the end of this tutorial.
Print it off in landscape mode on A4/letter paper at 100%.

Before starting, go get your copy of the TrapINI pattern.
www.incompletestitches.com/patterns. Print off your pattern.
Gather all you need, including the additional supplies listed below and get ready to #hackaTRAP!

ADDITIONAL SUPPLIES NEEDED:

- Approximately 50cm wide by 12cm long piece of outer fabric matching your TrapINI for the Bike Hack Tabs.
- 2no. 12mm Snap Fixings or similar.
- 6no. 2.5cm x 2.5cm squares of fusible interfacing.

LET'S GET STARTED:

Following the TrapINI tutorial, prepare your TrapINI pattern pieces.

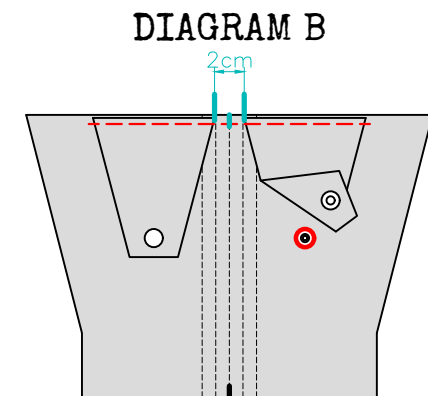
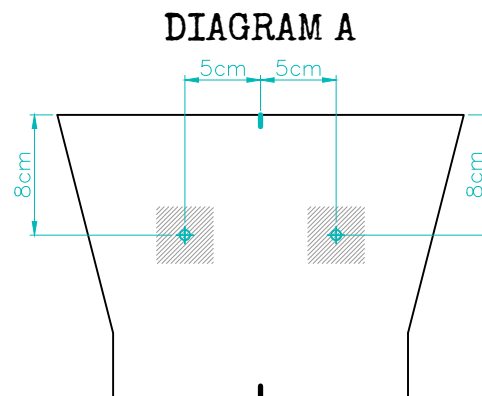
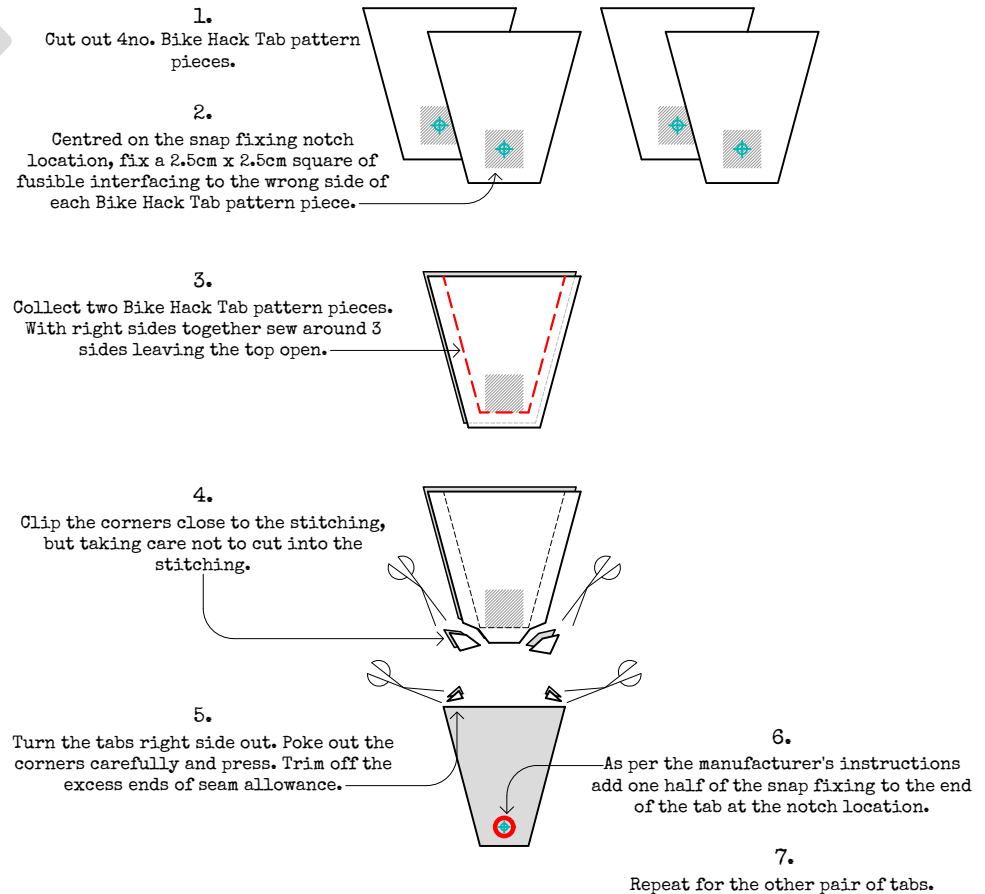
Prepare your Bike Hack Tabs as per these instructions.

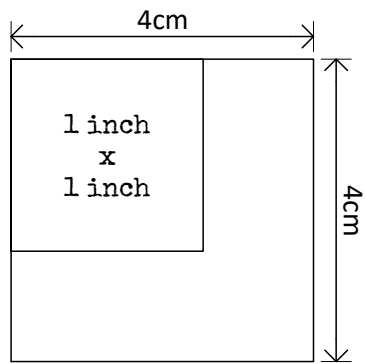
Before Step 1 of the TrapINI tutorial, collect the Main Back (B) pattern piece. Use the dimensions shown in **DIAGRAM A** to add 2 squares of the fusible interfacing to the wrong side of the Main Back. This is to reinforce the location of the Bike Hack snap fixings. Continue with the main TrapINI Tutorial.

After Step 2 collect your prepared Bike Hack Tabs and Main Back. As shown in **DIAGRAM B** line up the raw open seam of the tabs with the top seam of the Main Back. Position them 2cm apart centred on the top centre notch of the Main Back. Baste in place with a 0.5cm seam allowance.

Next using the snap fixing already fitted to the Bike Hack Tab mark the corresponding locations of the other halves of the snap fixings on the Main Back. As per the manufacturer's instructions fit the second half of the snap fixings to the Main Back.

Continue with the TrapINI pattern as per the main tutorial!!





TEST
SQUARE



© In Complete Stitches 2020

*No part of this pattern may be reproduced, transmitted, or shared in any form.
All rights reserved. For personal use only.*

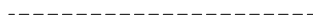
reinforcement/
interfacing



pattern piece



stitchline



notch



FOLD



centre point guide



direction of grain,
parallel to the
selvedge

