



In Complete Stitches

# - TrapINI Hack No.2 - MINI TOTE



TrapINI tote  
by @maaidier



TrapINI tote  
by @the\_neon\_notions



#TrapINI #incompletestitches #hackaTRAP  
[www.incompletestitches.com](http://www.incompletestitches.com)

# - TrapINI Hack No.2 -

Follow these simple steps to make your TrapINI into a gorgeous little tote purse by adding straps to the Main Front and Main Back.

Two options for the straps are described. A) surface placed straps (similar to the TrapBEAG TrapMOR Tote pattern) and B) in-seam straps added to the top seam along with the zip flaps.

Before starting, go get your copy of the TrapINI pattern. [www.incompletestitches.com/patterns](http://www.incompletestitches.com/patterns). Print off your pattern. Gather all you need, including the additional supplies listed below and get ready to #hackaTRAP!

## ADDITIONAL SUPPLIES NEEDED:

Method A: Surface Straps

2x 72cm lengths of 25mm webbing

or

Method B: In-seam Straps

2x 38cm lengths of 25mm webbing

## LET'S GET STARTED:

Following the TrapINI tutorial, prepare your TrapINI pattern pieces and get started!

After Step 2 collect your hackaTRAP tote webbing and secure it to the Main Back - using either Method A or B described above right. Continue with Step 3 and then before Step 4 repeat the process for the Main Front, again using either Method A or B.

Continue with your TrapINI following the main tutorial - but make sure to push your straps out of the way when, for example, adding the Front Pockets and the Zip Flaps.



## METHOD A

1A.

Collect your Main Front (A) and Main Back (B) pattern pieces (Main Back shown here!) and mark two notches 4cm either side of the centre top and centre bottom.

2A.

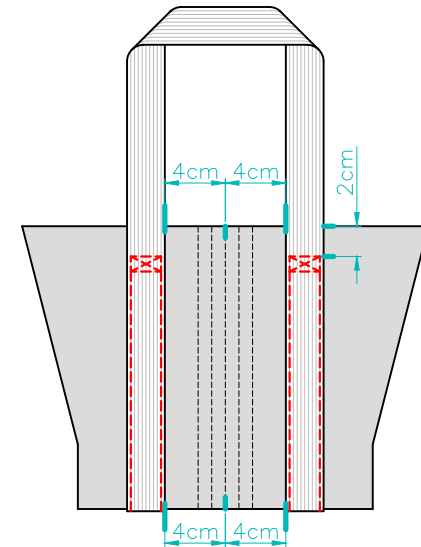
With the raw edge of the webbing lined up with the bottom raw edge of the Main Front/Back, line up the inside of the webbing with the notches you just made and pin them in place.

3A.

Pin or mark the location on the webbing 2cm from the top raw edge of the main front/back.

4A.

Starting at the bottom, edgestitch up one side of the webbing until you reach the 2cm mark, turn, stitch across the strap and the turn and edgestitch back down the webbing. Reinforce the stitching at the top with a square of stitching with diagonals. Repeat for the other side.



## METHOD B

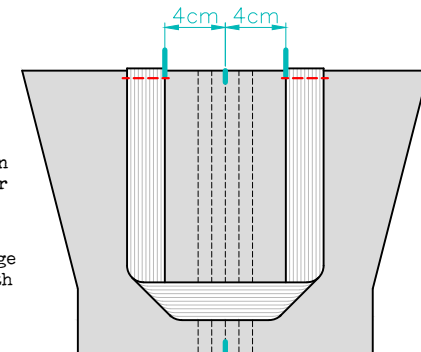
1B.

Collect your prepared Main Front (A) and Main Back (B) pattern piece (Main Back shown here!) and mark two notches 4cm either side of the centre top.

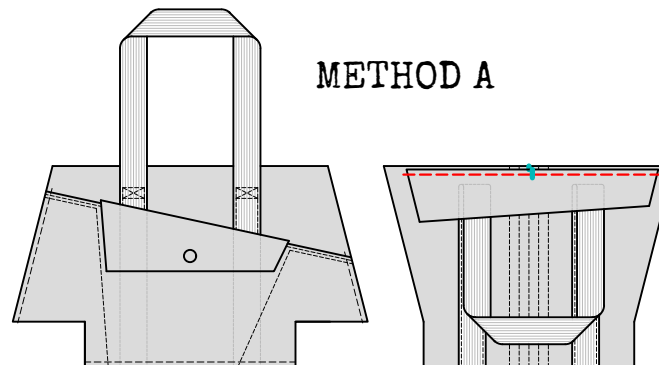
2B.

With the raw edge of the webbing lined up with the top raw edge of the Main Front/Back, line up the inside of the webbing with the notches you just made and pin them in place.

Baste the strap in place with a 0.5cm seam allowance.



## METHOD A



## METHOD B

